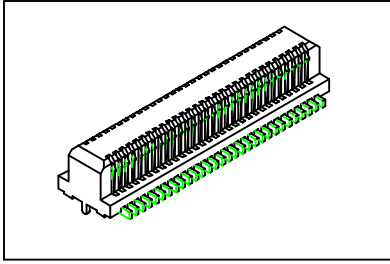


Board to Board 0.5mm(0.02") Male

GXCON



Material:

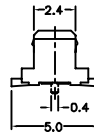
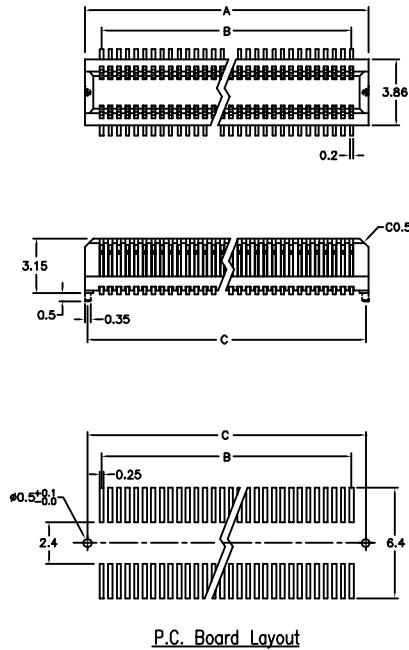
Housing: High Temperature Plastic UL94V-0.
 Contacts: Phosphor Bronze.

Electrical Characteristics:

Current Rating: 0.5 AMP.
 Dielectric Withstanding Voltage: AC 150V For 1 minute.
 Insulator Resistance: 100M Ω min. at DC 500V.
 Contact Resistance: 90m Ω max. at DC 100mA.
 Operating Temperature: -55°C ~ +105°C.

Features:

- * Tube Package.
- * Ribbon Mating Type.



Position	6 Thru 100
Dimension	
A	0.50 X No. of Positions /2+1.50
B	0.50 X No. of Positions /2-0.50
C	0.50 X No. of Positions /2+1.20

Ordering information

PH51- 100 1 10 3 P I
 Series Position 1:Gold Plated Blank: Gold Flash 3:S.M.D Type P: With Post U: Tube Package
 10: 10 μ " N: Without Post T: Tape & Reel Package
 15: 15 μ "
 30: 30 μ "